

minivib

Shear Wave Option

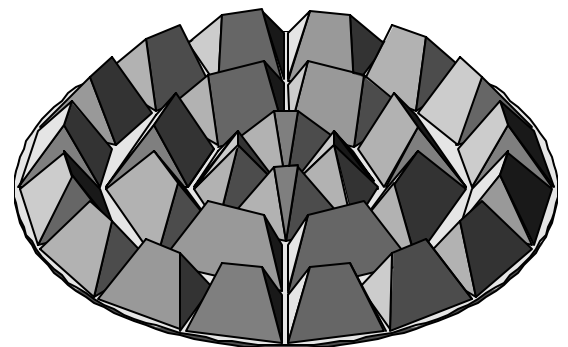
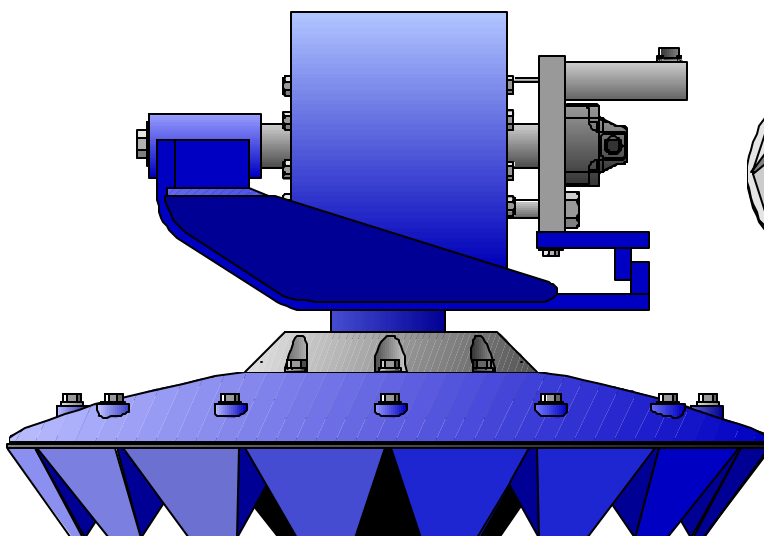
Available on all 4 'minivib' Deployment Systems

The 'minivib' Shearwave Option is available on any of the 4 'minivib' deployment systems. This includes the 'minibuggy', the T-15000 truck system, the T-2500 truck system, and the T-7000 trailer system. This option consists of a group of components which allows the operator to convert the standard 'minivib' P-wave vibrator to a shearwave seismic vibrator source. The unique 'minivib' shearwave design allows the operator to rotate and position the horizontally mounted vibrator actuator at any angle relative to the line. This angle can be changed to any other angle as often as desired. The 'minivib' is the only seismic vibrator which offers this feature.



This option is not available on the 'minivib' II.

Side View of the 'minivib' in a Shearwave configuration



Bottom view of the shearwave baseplate adapter