

INDUSTRIAL VEHICLES INTERNATIONAL, INC.

minivib

Broad Band 10 to 550 hz. Vibrator

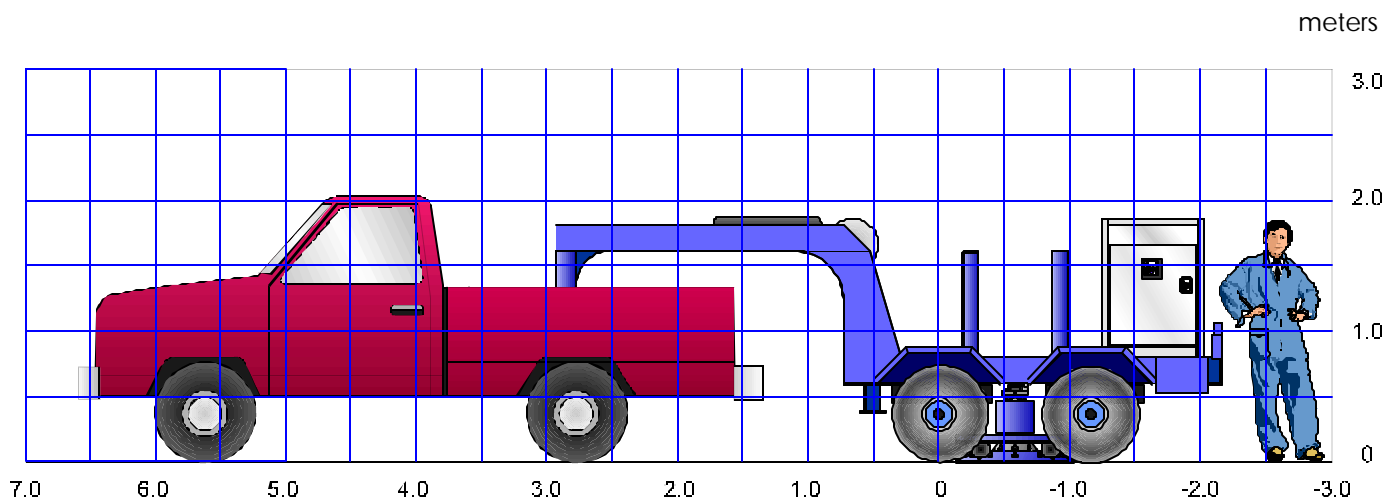
T-7000

A small trailer system available in 3 models

The 'minivib' Model T-7000 is an advanced seismic source system designed for high resolution geophysical surveys. The 'minivib' offers a 10 to 550 hz output making it the broadest band source available in its class. The advanced system features include high fidelity and broad band width, low source generated ground pressure, and noise limiting systems. The T-7000 trailer system is available in three different configurations. This includes the T-7000W, the T-7000S, and the T-7000L. The T-7000W is a trailer system with water tanks, which allows the hold-down weight to be varied by adding and removing water. The T-7000S is a trailer which allows for the full P-wave output from the 'minivib'. The T-7000L is a lighter trailer which has a reduced hold-down weight.



Side View Dimensional Drawing of the T-7000S 'minivib'



'minivib'

T-7000S Trailer

CATEGORY	ENGLISH	METRIC
Total Trailer Weight	7,000 Pounds	3.176 kgf.
Hilddown Weight	6,600 Pounds	1.814 kgf.
Max. Force Output	6,000 Pounds	26.689 N.

T-7000W Trailer

CATEGORY	ENGLISH	METRIC
Max. Trailer Weight	7,000 Pounds	3.176 kgf.
Max. Hilddown Weight	6,600 Pounds	1.814 kgf.
Max. Force Output	6,000 Pounds	26.689 N.

T-7000L Trailer

CATEGORY	ENGLISH	METRIC
Total Trailer Weight	4,900 Pounds	2.223 kgf.
Hilddown Weight	4,500 Pounds	2.042 kgf.
Max. Force Output	4,050 Pounds	18.015 N.

T-7000

T-7000

minivib' Vibrator

CATEGORY	ENGLISH	METRIC
Max Theoretical Peak Force	6,000 Pounds	26.689 N.
Mass Piston Area	1.50 Inches ²	9,7 cm ²
Reaction Mass Weight	311 Pounds	141 kgf.
Reaction Mass Stroke	1.88 Inches	4,78 cm.
Servo valve	5 GPM	18,9 l/m
Servo valve Pilot Filter	3 Micron	3 Micron
Baseplate Area	1,018 Inches ²	6.567 cm ²
Baseplate Assembly Weight	370 Pounds	168 kgf.
Lift System Stroke	38 Inches	96,5 cm.
Lift Cylinder Diameter	2.5 Inches	6,3 cm.
Lift Synchronization	Mechanical Crossbeam	Mechanical Crossbeam

Power Unit

CATEGORY	ENGLISH	METRIC
Vibrator Pump Flow	21 GPM	81 l/m
Diesel Engine - Isuzu	39 Horsepower @ 1800 RPM	29 kW @ 1800 RPM
System Pressure	4,000 psi	276 bar

Specifications are subject to change without notice. All specifications reflect standard equipment.

'minivib'



INDUSTRIAL VEHICLES INTERNATIONAL, INC.

6737 EAST 12TH STREET, TULSA, OKLAHOMA 74112 U.S.A. PHONE (918) 836-6516 FAX (918) 838-9529
E-MAIL ivi@indvehicles.com

minivibT7000