

**INDUSTRIAL VEHICLES INTERNATIONAL, INC.**

**minivib**

**Broad Band 10 to 550 hz. Vibrator**

**T-2500**

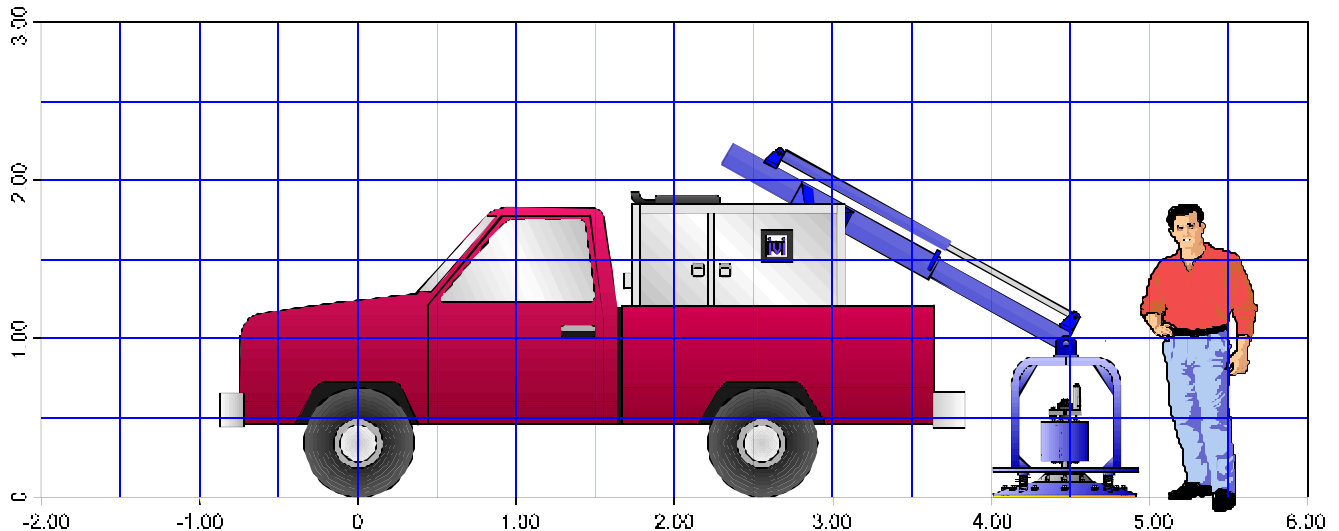
**Mounted on a 2 or 4 wheel drive small truck**

The 'minivib' Model T-2500 is an advanced seismic source system designed for high resolution geophysical surveys. The 'minivib' offers a 10 to 550 hz output making it the broadest band source available in its class. The advanced system features include high fidelity and broad band width, low source generated ground pressure, and noise limiting systems. The small, light-weight, truck mounting makes this system ideal for shallow engineering and environmental surveys in constricted and limited space environments. The T-2500 system has up to 2,500 pounds of hold-down weight available for P-wave or Shear Wave surveys. This makes the force output from the T-2500 less than the other 'minivib' systems.



Side View Dimensional Drawing of the T-2500 'minivib'

meters



'minivib'

VISIT THE IVI WEBSITE AT <http://www.indvehicles.com>

## T-2500 Truck

CATEGORY	ENGLISH	METRIC
Total Weight	9,200 Pounds	4.173 kgf.
Front Axle Weight	4,000 Pounds	1.814 kgf.
Rear Axle Weight	5,200 Pounds	2.359 kgf.
Package Weight	4,000 Pounds	1.814 kgf.
Transmission	Automatic	Automatic
Diesel Engine - Ford	357 Cubic Inches	5,8 liter
Front Axle	4,200 Pound Rating	1.905 kgf.
Rear Axle	7,400 Pound Rating	3.358 kgf.
Brakes	Hydraulic	Hydraulic

## 'minivib' Vibrator

CATEGORY	ENGLISH	METRIC
Max. Theoretical Peak Force	6,000 Pounds	26.689 N.
Mass Piston Area	1.50 Inches <sup>2</sup>	9,7 cm <sup>2</sup>
Reaction Mass Weight	311 Pounds	141 kgf.
Reaction Mass Stroke	1.88 Inches	4,78 cm.
Servo valve	5 GPM	18,9 l/m
Servo valve Pilot Filter	3 Micron	3 Micron
Baseplate Area	1,018 Inches <sup>2</sup>	6.567 cm <sup>2</sup>
Baseplate Assembly Weight	370 Pounds	168 kgf.
Lift System Stroke	38 Inches	96,5 cm.
Lift Cylinder Diameter	2.5 Inches	6,3 cm.
Lift Synchronization	Mechanical Crossbeam	Mechanical Crossbeam
Holddown Weight	2,500 Pounds	3.402 kgf.

## Power Unit

CATEGORY	ENGLISH	METRIC
Vibrator Pump Flow	18 GPM	67 l/m
Gasoline Engine	37 Horsepower @ 2400 RPM	28 kW @ 2400 RPM
System Pressure	4,000 psi	276 bar

## OPTIONS

OPTION	DESCRIPTION
Noise Reduction	Equipment that limits the ambient noise of the Power Unit
Winch	A 4,000 pound front mounted hydraulic winch

Specifications are subject to change without notice. All specifications reflect standard equipment.

'minivib'



**INDUSTRIAL VEHICLES INTERNATIONAL, INC.**

6737 EAST 12TH STREET, TULSA, OKLAHOMA 74112 U.S.A. PHONE (918) 836-6516 FAX (918) 838-9529  
E-MAIL [ivi@indvehicles.com](mailto:ivi@indvehicles.com)

minivibT2500

T-2500

T-2500