

INDUSTRIAL VEHICLES INTERNATIONAL, INC

birdwagen

A Hydraulic Drive Articulated 4X4 Vehicle

HEMI 60

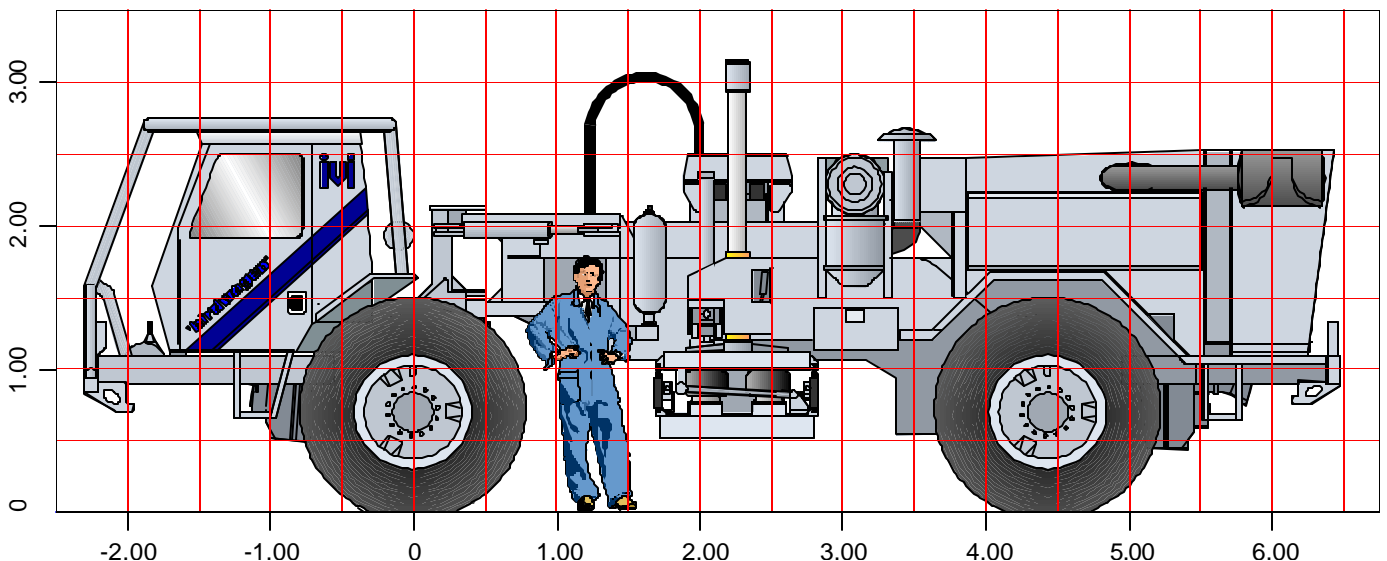
A 61,000 Pound Vibrator

The 'birdwagen' MARK IV off-road carrier with the **HEMI 60** vibrator is an advanced seismic source production system designed for high quality and high production geophysical prospecting. The 60,000 pound output vibrator offers broad band output and a high signal to noise ratio for the deepest surveys. The advanced features include high fidelity output, variable speed hydraulic motors, noise limiting systems, and ergonomic operator features. Wagon wheel articulated steering, which was first introduced to the geophysical industry by IVI in 1984, offers safe and reliable off road operation. The unique IVI traction system delivers the massive tractive effort, and the terrain following capability needed in rugged geophysical prospects.



Side View Dimensional Drawing of the 'birdwagen' with **HEMI 60**

meters



'birdwagen'

VISIT THE IVI WEBSITE AT <http://www.indvehicles.com>

'birdwagen' Mark 4c Vehicle

CATEGORY	ENGLISH	METRIC
Total Weight	64,000 Pounds	29.030 kgf.
Front Axle Weight	31,500 Pounds	14.288 kgf.
Rear Axle Weight	32,500 Pounds	14.742 kgf.
System Pressure	4,000 PSI	276 bar
Transmission	Hydrostatic 4 Speed	Hydrostatic 4 Speed
Cab	2 or 3 Man Vista Cab	2 or 3 Man Vista Cab
Turning Radius	26 Feet	7,92 meters
Engine- CAT C15	450 Horsepower @ 2100 RPM	336 kW @ 2100 RPM
Standard Tire	67x34-25 14 ply	67x34-25 14 ply

HEMI-60 Vibrator

CATEGORY	ENGLISH	METRIC
Max Theoretical Peak Force	61,620 Pounds	274,099 N.
Mass Piston Area	20.54 Inches ²	132,5 cm ²
Reaction Mass Weight	8,250 Pounds	3.742 kgf.
Reaction Mass Stroke	Plus or Minus 1.75 Inches	Plus or Minus 4,45 cm.
Reaction Centering	Air Springs	Air Springs
Servo Valve	200 GPM	908 l/m
Servo Valve Pilot Filter	3 Micron	3 Micron
Baseplate Area	5,196 Inches ²	33.514 cm ²
Baseplate Assembly Weight	4,700 Pounds	2.132 kgf.
Lift System Stroke	36 Inches	91,4 cm.
Lift Cylinder Diameter	4.0 Inches	10,16 cm.
Lift Synchronization	Split Crossbeam	Split Crossbeam
Vibrator Pump Flow	140 GPM @ 2100 RPM	530 l/m @ 2100 RPM
Holddown Weight	62,000 Pounds	28.123 kgf.

HEMI-60

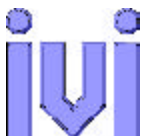
HEMI-60

'birdwagen' OPTIONS

OPTION	DESCRIPTION
Front Winch	Hydraulically powered 20,000 pound winch
Front Winch (High Torque)	Hydraulically powered 30,000 pound winch
Cold Weather Options	Various heaters, covers, and other equipment for cold temperatures
Optional Lighting	Various vehicle lighting configurations for different local requirements
Cab Protective Structure	A cab structure designed to protect the cab in rugged conditions
Optional Engine	Detroit Diesel Series 60

Specifications are subject to change without notice. All specifications reflect standard equipment.

'birdwagen'



INDUSTRIAL VEHICLES INTERNATIONAL, INC.

6737 EAST 12TH STREET, TULSA, OKLAHOMA 74112 U.S.A. PHONE (918) 836-6516 FAX (918) 838-9529
E-MAIL ivi@indvehicles.com

hemi60birdwagen