

INDUSTRIAL VEHICLES INTERNATIONAL, INC

HEMI 50

A 50,000 Pound Vibrator

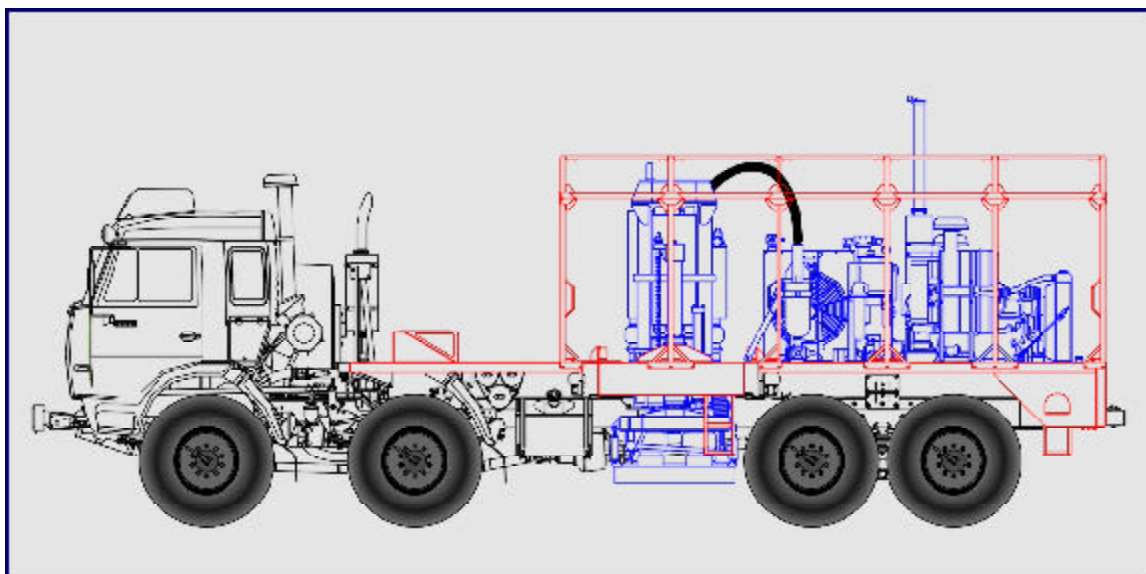
Kamaz Truck

An 8x8 Truck

The **HEMI 50** vibrator mounted on a variety of trucks is a well proven geophysical production system. Designed for high quality geophysical prospecting, this 50,000 pound output vibrator offers broad band output and a high signal to noise ratio for the deepest surveys. The Kamaz truck is specifically configured for carrying seismic vibrators. This system is weight balanced for maximum weight on the baseplate. Features include all wheel drive, easy access to all vibrator components, high ground clearance, and a comfortable 2 man cab. This system is a good solution for areas requiring road surveys, or large amounts of traveling between lines.



Side View Drawing of the Kamaz 8x8 Truck with the **HEMI 50**



HEMI-50

VISIT THE IVI WEBSITE AT <http://www.indvehicles.com>

Kamaz Truck

CATEGORY	ENGLISH	METRIC
Total Weight	52,700 Pounds	23.904 kg.
Front Axle Set Weight	20,900 Pounds	9.480 kg.
Rear Axle Set Weight	31,800 Pounds	14.424 kg.
Transmission	Kamaz manual shift	Kamaz manual shift
Diesel Engine	260 Horsepower	194 kW
Front Axle Set Rating	20,943 Pound Rating	9.500 kg.
Rear Axle Set Rating	34,172 Pound Rating	15,500 kg.
Brakes	Pneumatic	Pneumatic

HEMI-50 Vibrator

CATEGORY	ENGLISH	METRIC
Max. Theoretical Pk Force	50,160 Pounds	223,123 N.
Mass Piston Area	16.72 Inches ²	107,9 cm ²
Reaction Mass Weight	5,820 Pounds	2.640 kgf.
Reaction Mass Stroke	3.0 Inches	7,62 cm.
Reaction Centering	Air Springs	Air Springs
Servo Valve	200 GPM	756 l/m
Servo Valve Pilot Filter	3 Micron	3 Micron
Baseplate Area	4,230 Inches ²	27.290 cm ²
Baseplate Assembly Weight	4,490 Pounds	2.037 kgf.
Lift System Stroke	26 Inches	66 cm.
Lift Cylinder Diameter	3.25 Inches	8,26 cm.
Lift Synchronization	Chain	Chain
Vibrator Pump Flow	138 GPM @ 2100 RPM	522 l/m @ 2100 RPM
Holddown Weight	50,000 Pounds	22.680 kg.

Power Unit

CATEGORY	ENGLISH	METRIC
Diesel Engine	330 Horsepower @ 2100 RPM	243 kw @ 2100 RPM
System Pressure	3,000 psi	207 bar

Specifications are subject to change without notice. All specifications reflect standard equipment.

HEMI-50



hemi_50kamaz

INDUSTRIAL VEHICLES INTERNATIONAL, INC.

6737 EAST 12TH STREET, TULSA, OKLAHOMA 74112 U.S.A. PHONE (918) 836-6516 FAX (918) 838-9529
E-MAIL ivi@indvehicles.com